

wallas[®]



SAFEFLAME 800 Mini Cooker Kerosene Stove with 220 Blower Lid

- Safe, no-open flame operation.
- Clean, soot-free, reliable design minimizes maintenance.
- Optional blower lid converts stove to forced air cabin heater just by lowering the lid.
- Great looking cast iron cook top for easy cleaning.
- Super quiet, variable output eliminates off/on system cycling.
- Superb corrosion free stainless steel and aluminum construction.

imported and distributed by:



Factory Authorized Sales & Service Center

2144 Westlake Ave N Suite D

Seattle, WA 98109 USA

PH: 206-285-3675 Fax: 206-285-9532

service@scanmarineusa.com

www.scanmarineusa.com

WALLAS SAFEFLAME 800 Mini Cooker with 220 Blower Lid (shown with optional pot holders)

The 800 mini stove is designed for smaller boats where size is important. This quality stove is constructed of stainless steel and has features that include fast cooking and easy cleaning. All combustion exhaust gases and water vapor are vented outside, keeping the cabin moisture free. The stove is easy to install and can be fitted with the optional 220 blower lid, allowing this stove to work as a heating source for the cabin. This is the perfect answer to your needs for heating and cooking with safety and comfort.



SPECIFICATIONS:

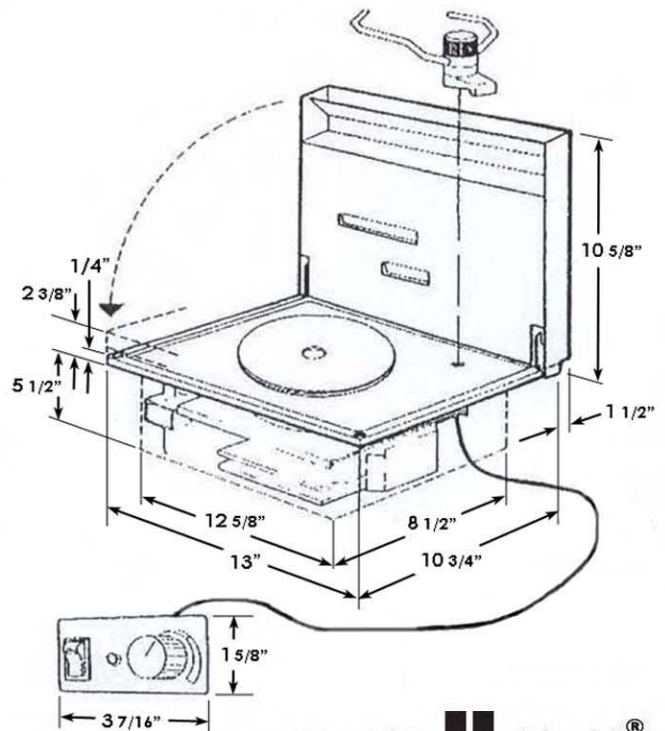
Fuel:	Kerosene
Fuel consumption:	2.4oz/hr - 4.4oz/hr
Heat output	2,000 to 4,000 BTU
Supply voltage:	12 VDC
Current consumption:	0.15 Amp 0.4 Amp with lid 10 Amp starting
Weight:	18 lb.

Standard Equipment:

- 1 each 13ft fuel line, filter and tank adapter
- 1 each 13ft battery cables
- 1 each 6ft control panel harness
- 1 each Control panel

Accessories:

- 1066 Exhaust through hull fitting
- 3467 Exhaust through hull or deck fitting
- 1028 Exhaust tube, flexible stainless
- 1011/1 Pot holders
- 2024 5 liter fuel tank
- 2027 10 liter fuel tank



wallas[®]

ScanMarine
EQUIPMENT