



# wallas<sup>®</sup>



**Three Year  
Warranty**

Model

# 1300

## The Benchmark in Forced Air Kerosene Heat

---

Super clean burning heater has a major breakthrough design, incorporating several important features:

- Clean burning combustion system minimizes heater maintenance
- Exceptionally low battery current draw and noise level
- Safe closed combustion with balanced draft
- Low maintenance, reliable design
- Quick and easy installation





## WALLAS 1300 cabin heater

The Wallas 1300 is a small, compact cabin heater with closed combustion and balanced exhaust. Despite the compact size the heat output is sufficient to heat an ordinary cabin or wheelhouse. The 1300 is the ideal heater for smaller sail and motorboats and for fish and workboats.

★ The current consumption is only 0.4 A and the heater runs very silently thanks to the low speed of the warm air blower.

★ When running, the 1300 is odorless, produce no kerosene smell in the cabin.

★ Installation is easy. The on-off switch is located on the one end of the heater. With the included mounting bracket, the heater can be mounted either hanging from the deck exhaust head or more commonly on a bulkhead.

### SPECIFICATIONS:

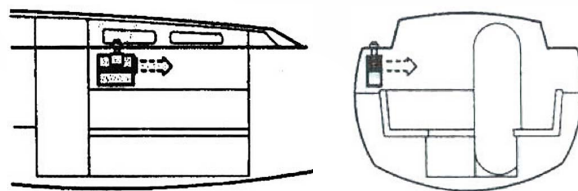
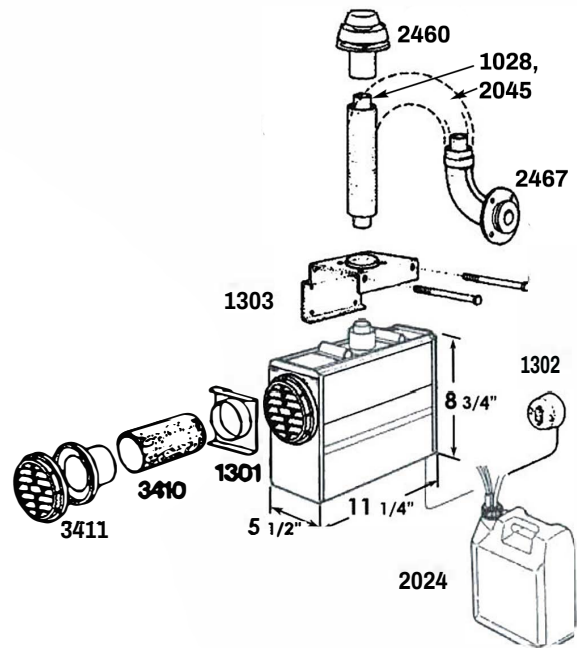
Fuel:	Kerosene
Fuel consumption:	approx. 4.2 oz./hr
Heat output:	1200W / 4200 btu
Supply voltage:	12VDC
Current consumption:	0.4 Amperes/hr.
Dimensions:	Height: 220mm Length: 285mm Width: 115mm
Weight:	11lb
Exhaust tube diam.:	28/45mm
Warm air duct diam.:	75mm (3in.)

### Standard equipment:

Heater 1300 with hinge plate & mounting kit 1303 for deck or bulkhead mounting, fuel lines and filter, tank fitting and 4 meter battery supply cable.

### Accessories:

2467	Exhaust head for exhaust through hull
1028	28mm stainless/stainless flexible exhaust tube sold per foot)
2045	45mm stainless/stainless flexible exhaust tube sold per foot)
2449	Insulation, fiberglass (sold per foot)
2460	Closeable deck exhaust head
2024	Fuel tank 5 l
2027	Fuel tank 10 l, low profile
1302	Remote control panel



**Factory Authorized Sales & Service Center**  
 2144 Westlake Ave N Suite D  
 Seattle, WA 98109 USA  
 PH: 206-285-3675 Fax: 206-285-9532  
 service@scanmarineusa.com  
 www.scanmarineusa.com