

Wallas 85DP Countertop Diesel Stove & Wallas 85NDP Countertop Diesel Stove/Heater



wallas®

85NDP cooking (Lid Up)

85NDP heating (Lid Down)



**Three Year
Warranty**

- Safe, no-exposed flame operation.
- All combustion exhaust gases and water vapor is vented outside, keeping cabin dry.
- Clean, reliable, soot-free design minimizes maintenance.
- Optional blower lid converts stove to forced air cabin heater by just lowering the lid.
- Great looking ceramic cook top for easy cleaning.
- Easy installation, also available in Dt flush mount version.
- Diesel fuel can be drawn directly from the main fuel tank or from a day tank.
- Super quiet, variable output eliminates off/on system cycling.
- Superb corrosion free stainless steel and aluminum construction.

Imported and distributed by:



Factory Authorized Sales & Service Center

2144 Westlake Ave N Suite D
Seattle, WA 98109 USA

PH: 206-285-3675 Fax: 206-285-9532

service@scanmarineusa.com

www.scanmarineusa.com



Wallas 85DP Countertop Diesel Stove & Wallas 85NDP Countertop Diesel Stove/Heater



85DP Stove

The 85DP Ceramic stove is the modern solution for all your onboard cooking needs. It is available in either the flush mount Dt or the surface mount DP model. Features such as fast cooking effect, easy to clean cooktop and automatic priming make it as convenient as your stove at home. The closed combustion chamber design makes cooking enjoyable, with all fumes vented overboard, keeping your cabin fresh and dry. With the optional 270 blower lid attached, the stove becomes the 85NDP, an efficient cabin heater. Capable of running on diesel #1 or diesel #2, the 85DP is efficient, versatile and will provide years of reliable service.

SPECIFICATIONS:

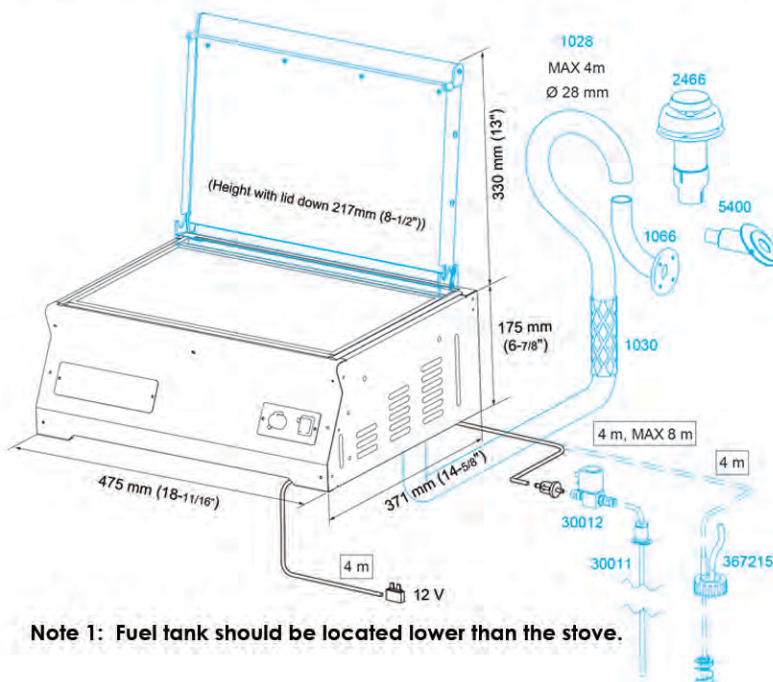
Heat output: 2,000 - 6,650 btu
 Fuel type: Diesel #2 or #1
 Fuel consumption: 3 to 6.5 oz/hour
 Voltage: 12VDC
 Full power amps: 0.75
 Min. power amps: 0.5
 Starting amps: 8.0 for 3.5 min.
 85DP weight: 22 lbs
 85NDP weight: 30 lbs

INCLUDED EQUIPMENT:

1 each 13 ft fuel line, filter and adapters
 1 each 13 ft battery cables with fuse

OPTIONS AND ACCESSORIES:

1066 Exhaust through hull
 2460 Closeable exhaust thru deck
 602307 Adapter
 1028 28mm flexible SS exhaust pipe
 1029 Fiberglass insulation
 5350 Altitude compensation jumper
 1110 Pot holders
 2024 5 liter fuel tank
 2027 10 liter fuel tank
 30011 Fuel tank pickup



Note 1: Fuel tank should be located lower than the stove.



B85DP270 09/20

Imported by: **Scan Marine Equipment**
 2144 Westlake Avenue N. Suite D - Seattle, WA 98109
 206-285-3675 Toll Free: 1-888-606-6665 Fax: 206-285-9532
 info@scanmarineusa.com - www.scanmarineusa.com