

76 D Oven











INSTALLATION, OPERATION AND SERVICE INSTRUCTIONS

2+1 year warranty at: [wallas.fi/takuu](https://www.wallas.fi/takuu)
Download the latest versions of manuals at: [wallas.fi/documents](https://www.wallas.fi/documents)

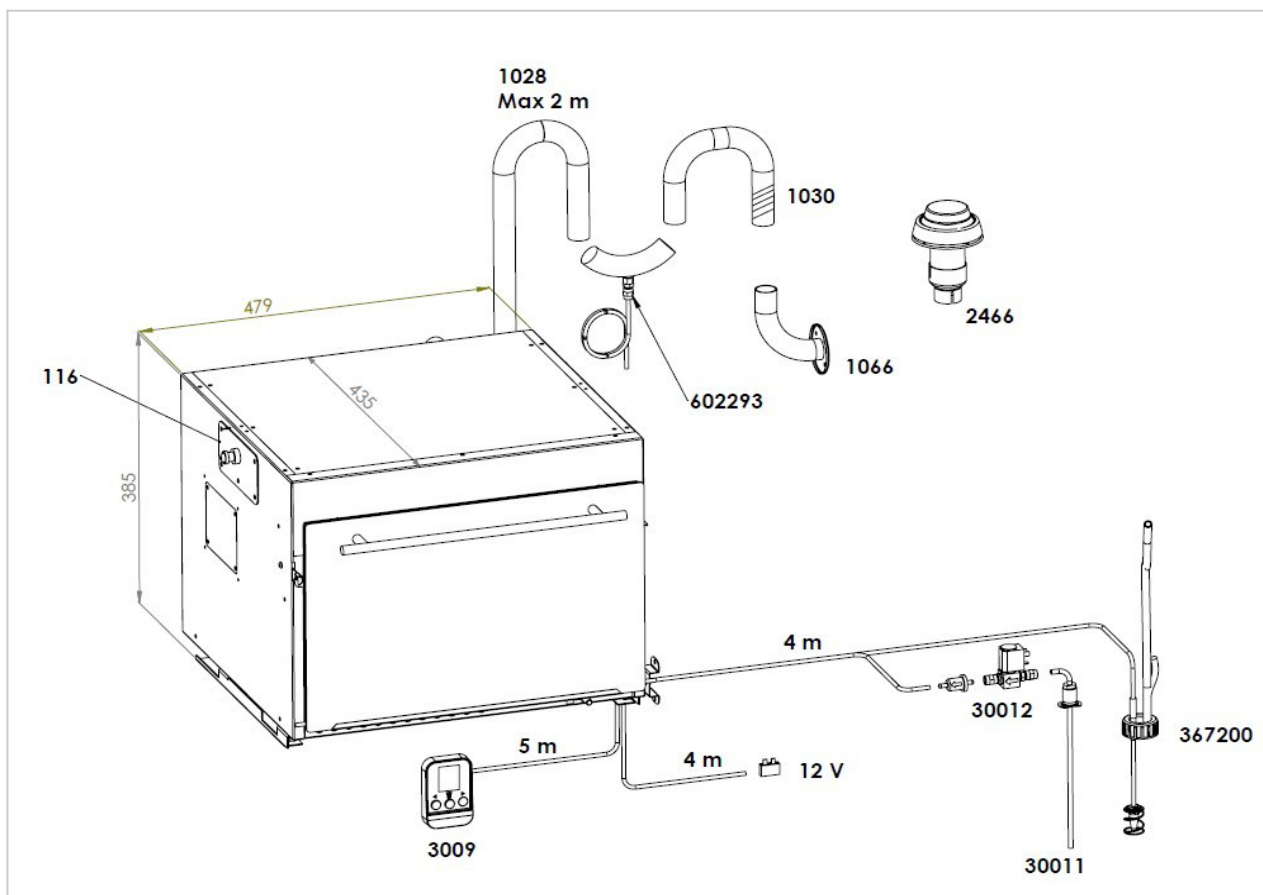
Safety - Safety Instructions for ovens	1
Technical information - Supplies and accessories	2
Technical information - Technical information	3
Technical information - Operation description	4
Installation - Cut-out for the installation	5
Installation - Fastening the device without the gimbal	7
Installation - Fastening the device with the gimbal	8
Installation - Connections	9
Exhaust gas connections - Exhaust gas connections	11
Exhaust gas connections - Side lead-through 1066	12
Exhaust gas connections - Closable lead-through 2466	13
Exhaust gas connections - Drainage lock 602293	14
Fuel connections - Fixed tank connection 30011	15
Fuel connections - Solenoid valve 30012	16
Fuel connections - Separate tank connection 367200	17
Fuel connections - Selecting the fuel	18
Operation - Device operation	19
Operation - Locking the oven door	20
Operation - Removing the oven glass	20
Control Panel - Control Panel Installation	21
Control Panel - Control Panel basic features for ovens	22
Control Panel - Software update	26
Control Panel - Connecting with the Remote application (oven)	27
Control Panel - Error Codes	31
Important information - Installation check list	33
Important information - Maintenance recommendations for ovens	35
Important information - Warranty terms	36
Important information - Disclaimers	37

Safety Instructions for ovens

Important Safety Instructions

	This manual has information on product safety and instructions to reduce risk of accidents and injuries.
	This oven (hereinafter also referred as "unit" and "device") is designed and intended for recreational use.
	We recommend having a Wallas-Marin professional install our products to avoid improper installation that can cause injury or property damage.
	Installation instructions in this manual and country-specific requirements must be followed.
	It is the responsibility of the owner and the installer to determine which requirements and standards apply to specific installations.
	Wallas-Marin offers a 2+1 year/2000 hour warranty. The warranty is not valid if the unit has not been installed according to the manual or the country-specific regulations have not been followed.
	Do not repair, replace or remove any part of the unit unless specifically recommended in the manual. All other servicing should be done by an authorized Wallas-Marin Distributor or Service Center.
	This unit is not intended for use by persons (including children) with reduced physical, sensory or mental capabilities (that could affect a safe handling of the product), or lack of experience and knowledge, unless they have been given supervision or instruction concerning use of the appliance by a person responsible for the safety.
	As with any carbon-hydrogen combusted product, the vessel should be properly fitted with a CO detector, tested regularly and replaced as per the manufacturer's schedule. The installer must ensure there is sufficient ventilation into the indoor space for occupants and system operation.
	Wallas-Marin reserves the right to change or improve its products, and to modify appearances and specifications without notice.

Supplies and accessories



Package content

1 pcs	76 D diesel oven
1 pcs	Baking tray
1 pcs	Control panel
1 pcs	Power cord (4m)
1 pcs	Fuel hose (4m)
1 pcs	Mounting rail

List of accessories

116 Gimbal set 76D	3009 Advanced control panel
1028 Exhaust tube, stainless \varnothing 28 mm	30011 Tank fitting
1030 Heat insulation, \varnothing 35 mm, fiber glass	30012 Magnetic valve 12V/0,5 A
1066 Hull lead-through	367200 Lead through kit for separate tank
2466 Sealable deck lead-through	602293 Drainage lock

Technical information

76 D

Fuel	Diesel oil, light furnace oil, HVO-fuel HVO EN 15940, B10 EN 16734, D20/30 EN 16709
Operating voltage	12 V DC
Fuel consumption	0,095 - 0,28 l/h (3,2 - 9,5 oz/h)
Heating power	950 - 2800 W (3,240 - 9,550 BTU/h)
Power consumption	1,3 -1,6 A At ignition for about 5 min. 8 A
Dimensions (L x W x H)	479 x 435 x 385 mm (18 55/64" x 17 1/8" x 15 5/32 ")
Weight	26 kg (57,3 lbs)
Maximum permitted length of exhaust pipe	4 m
Maximum permitted length of fuel hose	8 m
Minimum area of the replacement air opening	200 cm ²
Connections	Solenoid valve Remote control
Suitable Exhaust gas lead-throughs	1066, 2466
Recommended usage temperature	-15 -+30 Celsius Mandatory: Check your local fuel tolerance for freezing temperatures.

Due to physical laws of thermodynamics, Wallas-Marin announces measured values with 10 % tolerance.

Operation description

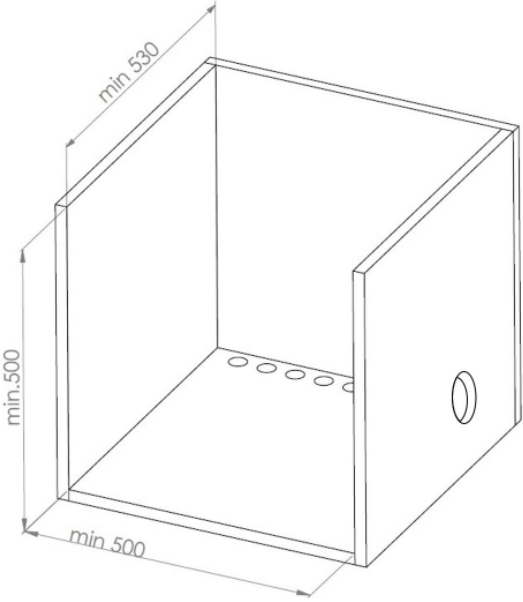
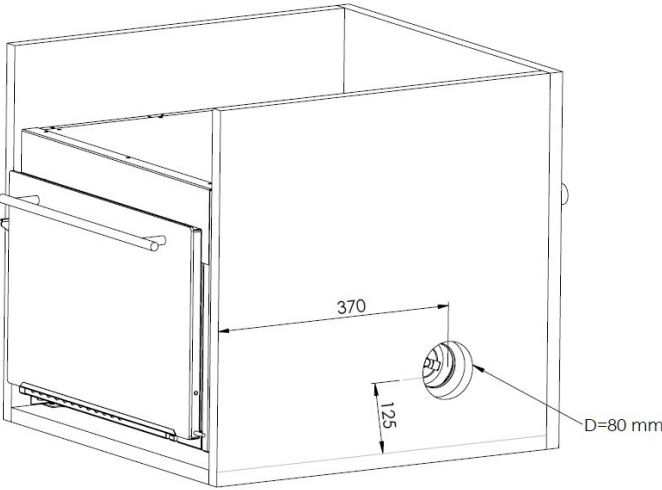
76 D is a safe diesel oven with no open flame. The oven extracts combustion air from the boat and blows the exhaust gases out. Therefore when the oven is used, the air circulates in the boat and stays both fresh and dry. The steam from the exhaust gas will not stay in the boat to add humidity.

As the oil burns, the released heat is transferred to the oven with a heat exchanger. The circulation fan circulates the hot air from the heat exchanger to the oven. The heat is steplessly adjustable with the control panel. The oven is ideally suited for cooking and heating of all kinds of food.

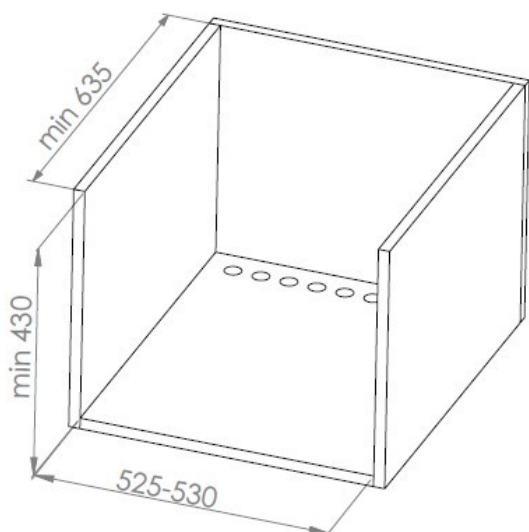
The oven is made entirely of stainless materials.

Cut-out for the installation

There are two different ways to install the oven; installation without the gimbal or installation with the gimbal (gimbal is the swing mechanism).

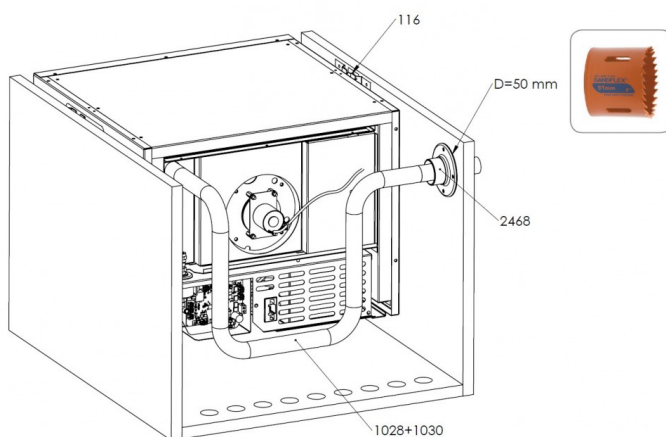
Installation without the gimbal	
	<p>The minimum measurements for the installation space are 500 x 500 x 530 mm (W x H x D). Do not put other devices in the installation space. Make holes, which comprise a combined area of at least 200 cm², at the base of the cut-out for the cooling air.</p> <p>There must also be at least 2 cm of free space above the oven for the cooling air if the top part of the oven is to be covered with a plate, or if it is to be installed in a closed space. The installation cut-out should be made of heat resistant material, or it should be lined with heat resistant material.</p>
	<p>Drill \varnothing 80 mm hole on the right side of the cabinet for the oven cooling fan.</p>

Installation with the gimbal



The minimum measurements for the installation space are 525 x 550 x 635 mm (W x H x D). Do not put other devices in the installation space. Make holes, which comprise a combined area of at least 200 cm², at the base of the cut-out for the cooling air.

There must also be at least 2 cm of free space above the oven for the cooling air if the top part of the oven is to be covered with a plate, or if it is to be installed in a closed space. The installation cut-out should be made of heat resistant material, or it should be lined with heat resistant material.



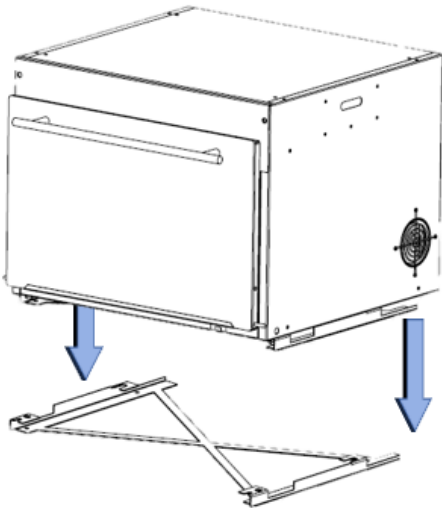
Lead-through 2468 is included in the gimbal set 116. 2468 is used with the exhaust pipe to lead the exhaust pipe out of the cabinet.

Remember to leave enough room behind the oven for the exhaust pipes 1028 and 1030 so that the oven may swing freely. Exhaust pipe can also form a loop behind the oven.

The length of the control panel wire is 5 m. Heat will shorten the lifetime of the electronic equipment. For this reason, installation of the control panel immediately above the oven door is not recommended.

Fastening the device without the gimbal

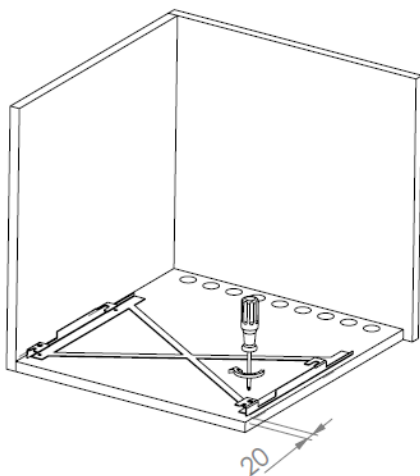
Installing and tightening the oven 76 D into place



Fasten the oven with the mounting rail.

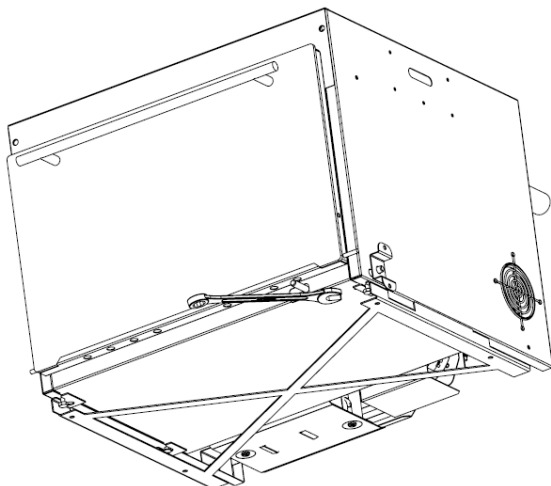
Mounting rail has been screwed onto base of the oven with 4 universal screws.

1. Remove the mounting rail by loosening the two hex screws on the front. **Do not remove these two screws completely.**
2. Slide the mounting rail out of place.



Install the mounting rail with four screws.

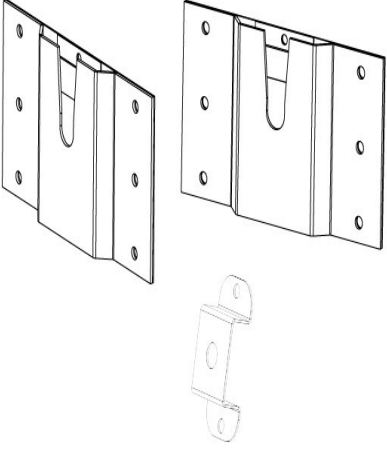
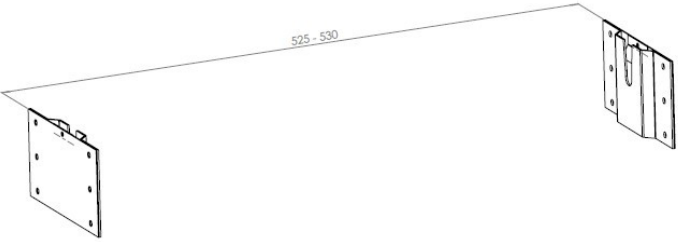
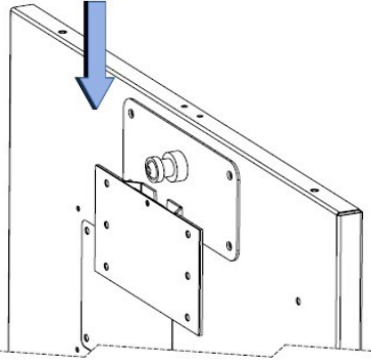
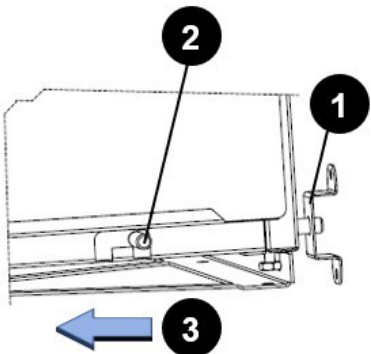
Make sure the mounting rail is securely fastened.



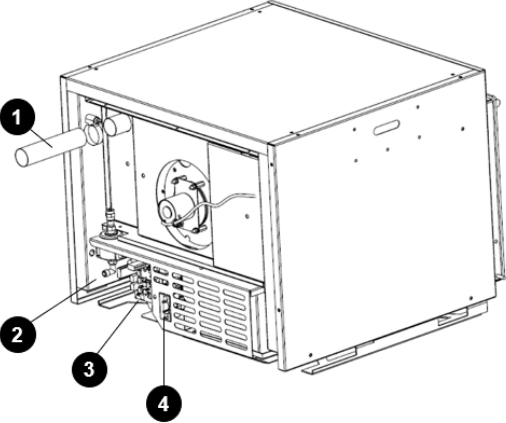
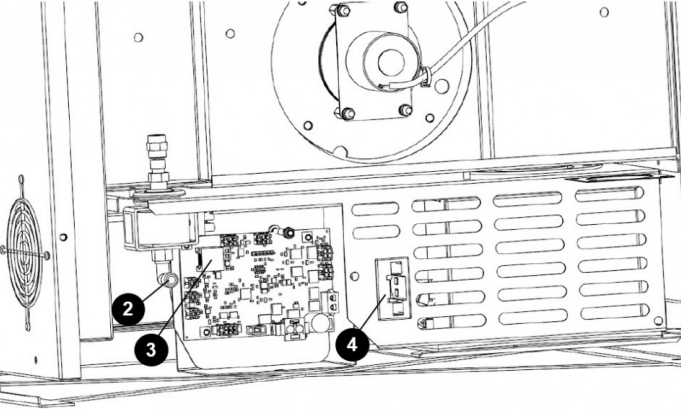
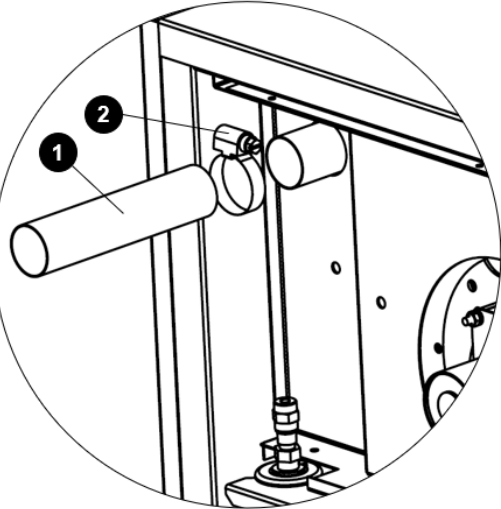
Slide the oven onto the mounting rail.

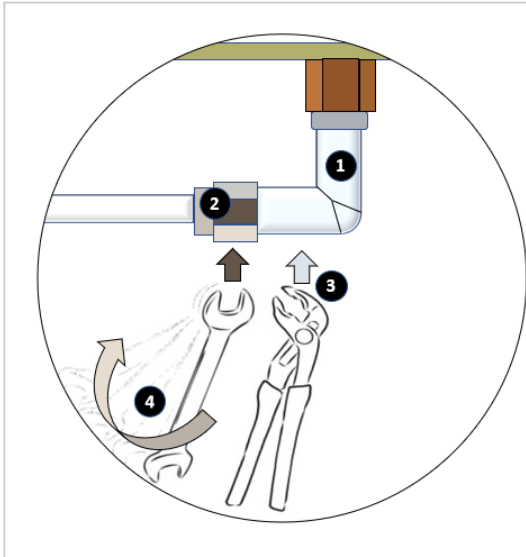
Tighten two screws in the front using a 10 mm fork wrench.

Fastening the device with the gimbal

Installing and tightening the gimbal into place	
	<p>Gimbal set for 76D includes all assembly parts except assembly screws. Use screws that are suitable for the assembly space material.</p> <p>Mounting plates (2 pcs) and gimbal locking plate are in the attached picture.</p>
	<p>Install the mounting plates to the wall at a distance of 525-530 mm from each other.</p>
	<p>Install the oven hanging on the mounting plates.</p>
	<ol style="list-style-type: none">1. Install the gimbal locking plate (1) to the wall with two screws.2. To unlock the gimbal move the locking knob (2) to the left (3). Lock again by moving the knob to right.

Connections

Connections of the device	
	<ol style="list-style-type: none"> 1. Exhaust gas hose 2. Fuel hose 3. Control panel 4. Power cord
	<p>Connections in the back of the oven.</p> <ol style="list-style-type: none"> 1. 2. Fuel hose 3. Control panel 4. Power cord
	<p>Instructions for connecting the exhaust gas hose</p> <ol style="list-style-type: none"> 1. The exhaust gas pipe 1028 is insulated by using a fiber glass sleeve 1030. 2. Tighten the hose clamp. <p>Note! In the installation with the gimbal the exhaust gas pipe should be shaped into a loop so that the exhaust gas pipe doesn't prevent the swinging.</p>



Instructions for connecting the fuel hose

1. Pump inlet elbow
2. Fuel line nut
3. Use pliers to hold the pump inlet elbow steady
4. Tighten the 12 mm fuel line nut. Tightening torque is 19 Nm (14 ft/lbs)

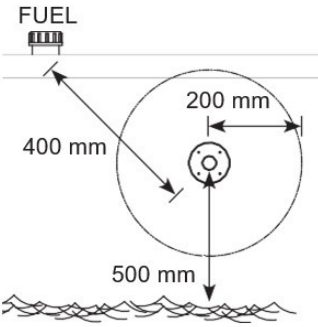
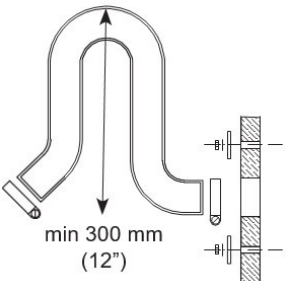


Note!
The joint has to be very tight to prevent air leaks.

Exhaust gas connections

Exhaust gas lead-throughs

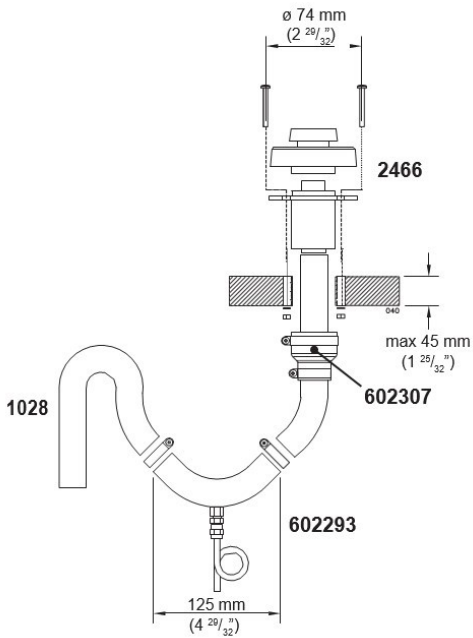
Exhaust gas lead-throughs **1066** for side installation and the closable model **2466** are suitable for singular exhaust. \varnothing 28 mm lead-throughs fit the exhaust gas pipe **1028**. All exhaust gas lead-throughs are stainless steel.

The exhaust gas reaches a high temperature! Be sure that the tube does not touch flammable materials and double check the connections. Insulation sock **1030** is available as an accessory.

<p style="text-align: center;">Safety distances</p> 	<p>Location (boat installation)</p> <p>Air must always flow freely past the lead-through. Install the lead-through on a flat surface. Avoid corners or recessions where wind pressure can disturb the functioning of the device. The minimum distance of the lead-through from the fuel tank's filler hole is 400 mm (16"). The minimum distance of the side lead-through from the surface of the water is 500 mm (20"). Especially in sail boats it should be noted that the lead-through must never be submerged. It is recommended to place the lead-through in the side as far back as possible or directly in the transom.</p> <p>Never place lead through near cabin fresh air intakes. Make sure that exhaust gases can never mix into fresh air intake.</p>
<p style="text-align: center;">Goose neck</p> 	<p>Installation (boat installation)</p> <p>When preparing the installation cut-out for the lead-through, it is a good idea to use the lead-through as a model for the cut-out; especially if the lead-through is circular. If necessary, seal the installation cut-out with silicone in addition to the lead through seal. Note! Do not use silicone on a wooden boat. The side lead-through must always be equipped with a so-called goose neck section. The goose neck will effectively prevent splash water from getting to the device. The highest point of the goose neck must always be above the surface of the water. The device will go out, if the exhaust gas lead-through is submerged.</p>
<div style="display: flex; justify-content: space-around;"> <div style="text-align: center;"> <p>1066</p>  </div> <div style="text-align: center;"> <p>2466</p>  </div> </div>	<p>Other things to note (boat installation)</p> <p>Exhaust gas is hot. Always ensure that there is nothing that is susceptible to heat damage within 200 mm (8") of the effective area of the exhaust gases (e.g. ropes, fenders or the side of another boat). All lead-throughs raise the temperature of their surroundings. A wooden deck, in particular, may dry due to the heat. Remember that the surface of the lead-through is hot during use. An exhaust gas tube with a length of more than 2 meters (7') has to be equipped with a drainage lock 602293 (condense water) located to the lowest point of the tube. The exhaust gas pipe must be made of stainless steel. If necessary, seal the connections between the exhaust gas pipe and the lead through with heat-resistant silicone. When installing the lead-through to the stern side or to otherwise leaning position, be sure that the water do not stuck the exhaust. In metal-hulled boat, ensure that the device, the flue gas lead-through, the fuel connection, the control panel and all other parts are insulated from the boat's hull.</p>

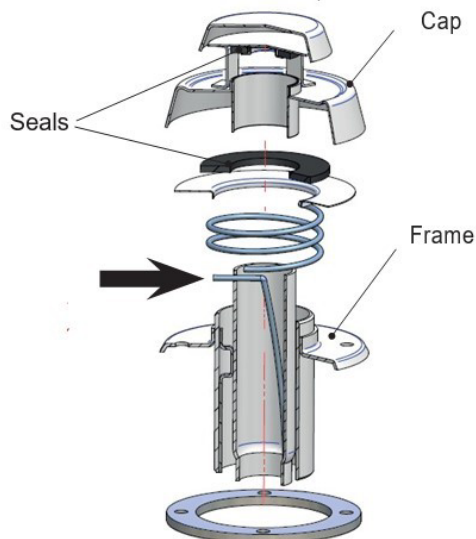
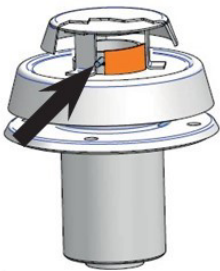
Closable lead-through 2466

Closable lead-through 2466



The cap of the closable lead-through must be detached for installation and seal maintenance by pressing the spring indicated by the arrow in with, for instance, a screwdriver. Take care not to let the screwdriver slip as the spring is very stiff. Hold the cap with your other hand when pressing in the spring. When the spring is down, pull the cap gently out of the frame. When assembling the lead-through, ensure that the order of the parts is correct. Also make sure that the spring goes in the correct hole in the cap. Otherwise, the lead-through cannot be closed.

Installation of the closable deck lead-through 2466. The installation cut-out is $\varnothing 50$ mm (2") and the screw holes are $4 \times \varnothing 6$ mm.



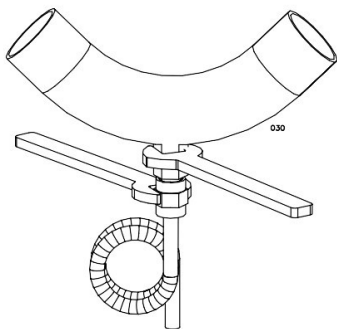
Maintenance

To keep the seals from hardening, lubricate them yearly with a heat-resistant petroleum jelly.



Check that closeable fitting is open before starting the device.

Drainage lock 602293



It is recommended to use drainage lock in deck lead-throughs and in over 2 meter (7') long exhaust gas tubes (ø 28 mm). This is to remove splash water and condense water.

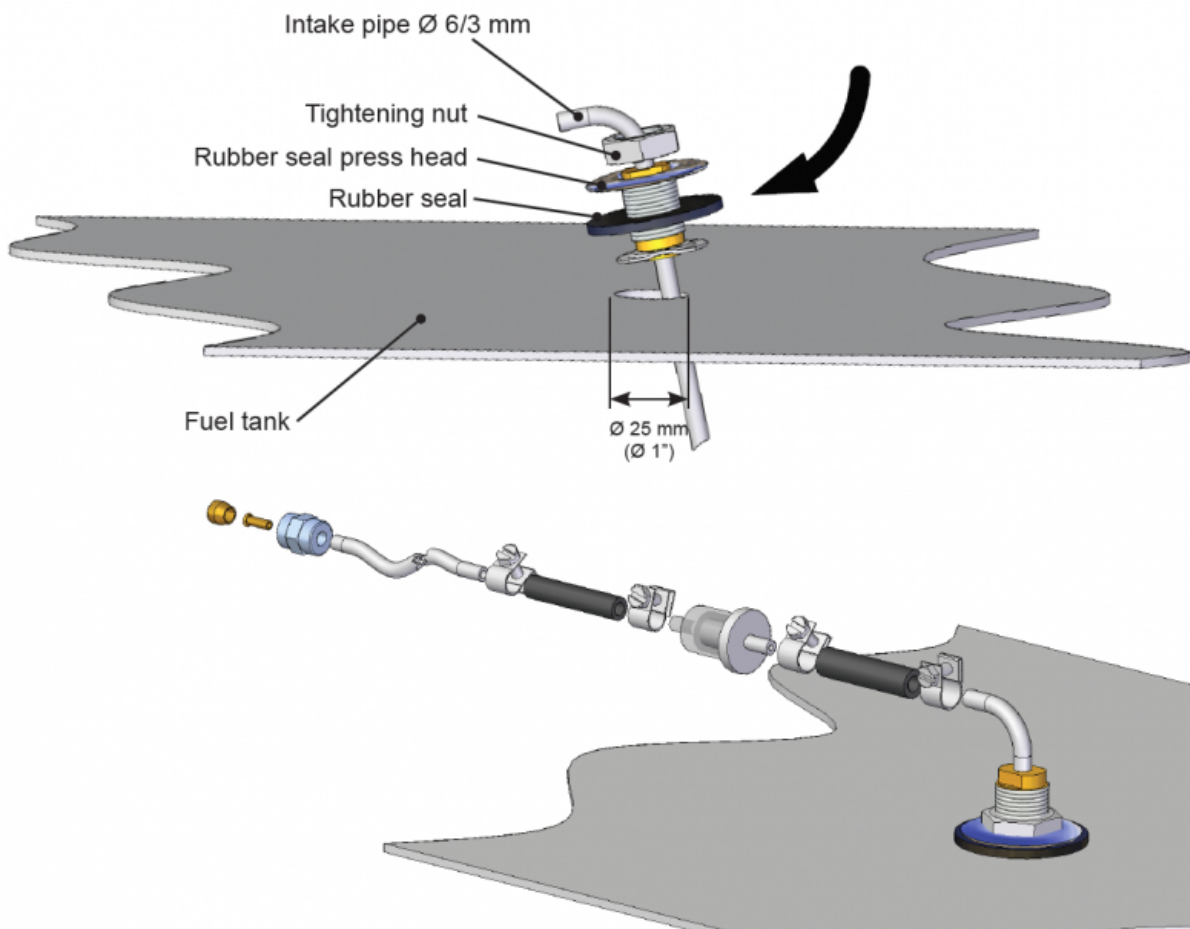
If desired, it is possible to install a drainage lock to the exhaust pipe (ø 28 mm) of a hull lead-through, but then the drainage lock must come after the goose neck.



When washing the boat with a pressure washer, never aim the water jet at the lead-through as the device may get wet.

Fixed tank connection 30011

Installation instructions for tank connection 30011



1. You will need to make a \varnothing 25 mm (1") hole in the upper surface of the fuel tank. Choose the location of the hole so that when the fuel tank tilts the end of the intake pipe will stay in the fuel even if the tank is not full. If the end of the intake pipe does not reach the fuel, the device will quickly choke on the air in the fuel system and that can cause malfunction to the system.
2. Cut the fuel intake pipe (\varnothing 3.2/0.8 mm) to the appropriate length. The end of the pipe must not touch the bottom of the tank in order to keep water and sediment from the system. It is recommended to cut the pipe short enough to leave the engine intake pipe at a lower level. This way the device cannot empty the tank.
3. Install the pipe straight end first and angle the two "ears" at the bottom of the threaded barrel inside the hole and then align the threaded barrel vertically so the ears are hooked on the underside of the tank top. Carefully slip the rubber washer over the bent pipe end and over the threaded barrel, followed by the metal washer and the nut. Thread the nut to the threaded barrel and tighten, sealing the fitting to the top surface of the tank.

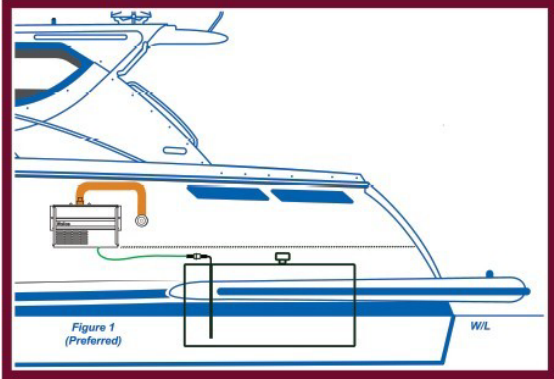
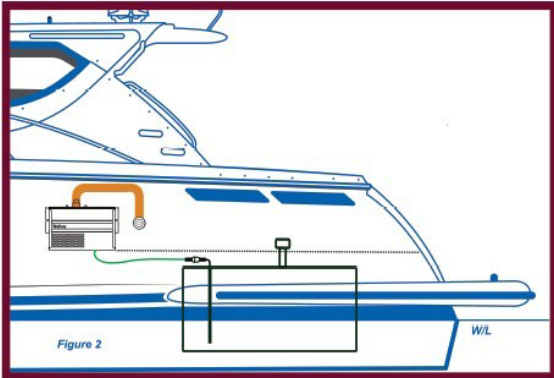
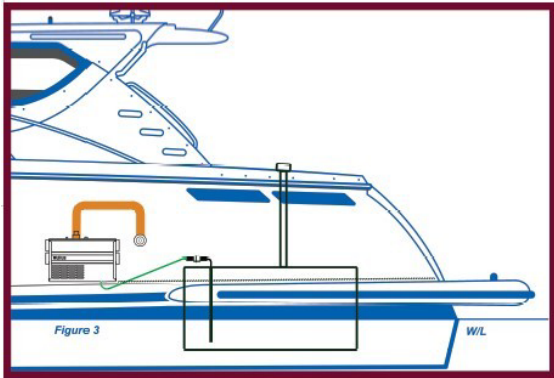


If the device uses the main tank of the boat, note that the device cannot take the fuel from the same fuel output line as the engine of the boat.

Solenoid valve 30012

The solenoid valve **30012** (available as accessory) prevents the tank from emptying in case the fuel system fails. The fuel filter should be installed before the solenoid valve.

Our recommendations in the following installation configurations:

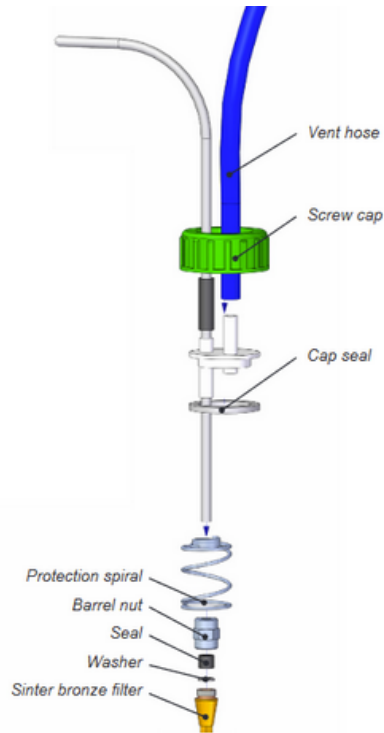
<p>Preferred installation layout (solenoid valve 30012 is not required)</p>	 <p>Figure 1 (Preferred)</p>
<p>Solenoid valve 30012 is recommended</p> <p>2. Fuel level may temporarily rise above the heater/stove (e.g. in the fuel tank filler pipe or when the boat tilts). See figure 2.</p> <ul style="list-style-type: none"> • No special accessories required but solenoid valve 30012 is recommended. 	 <p>Figure 2</p>
<p>Less desirable installation arrangement (solenoid valve 30012 must be installed)</p> <p>3. Fuel level is above the heater/stove. See figure 3.</p> <ul style="list-style-type: none"> • Less desirable installation arrangement • Possible siphon problem • Solenoid valve 30012 must be installed in the fuel hose near the tank. 	 <p>Figure 3</p>



If the fuel level in the tank is above the device, a solenoid valve 30012 must be installed in the fuel line immediately after the tank lead-through.

Separate tank connection 367200

If the fuel will be taken from a separate tank, a tank connection **367200** must be installed.



Wallas fuel tanks

Wallas fuel tanks are sold as accessories.

Volume	Length x height x width	WALLAS code
5 l	200 x 300 x 130 mm	2024
10 l	380 x 195 x 210 mm	2027
33 l	500 x 230 x 350 mm	4030
130 l	800 x 400 x 600 mm	4130

Selecting the fuel

When selecting the fuel type, pay attention to the temperature limits of each particular fuel. The limit values provided here are to be treated as guidelines. Confirm the actual temperature limits from your local fuel supplier.

- HVO-Diesel, Diesel, summer grade, temperature must not fall below -5 °C.
- HVO-Diesel, Diesel, winter grade, temperature must not fall below -24 °C.
- Diesel, arctic winter grade, temperature must not fall below -40 °C.

If the temperature drops lower than the minimum level, paraffin may form in the fuel. This may result in the fuel filter and pump being clogged. The clog will dissolve only if the fuel temperature rises clearly over 0 °C.

For fuel additives and life length of the fuel ask information from your fuel supplier.

Recommended fuels

As one of the leaders in ultra-low-emission burner technology, Wallas is committed to clean combustion processes.

With our laminar flow Green Boost burner technology and adaptive software, our burners have ultra-low emissions, including exceptionally low CO₂ and NO_x levels.

All Wallas-Marin diesel heaters and stoves use diesel, renewable diesels (HVO 15940), or paraffin oil (kerosene) as fuel.

These include:

Today's road and boat diesels (EN590), renewable (HVO 15940).

We don't recommend the use of FAME (Fatty Acid Methyl Esters) fuels.

The methyl esters in biodiesel are hygroscopic. This means that they can absorb considerably more moisture than petroleum-derived diesel and hold this in suspension in the fuel. Petroleum-derived fuels absorb considerably less moisture by comparison and tend to shed water as a separate layer at the bottom of storage tanks. When water is able to contaminate diesel, it provides conditions suitable for microbial growth and can lead to diesel bugs, molds, yeasts and bacteria spreading throughout the fuel. FAME is bio-degradable and is an ideal source of nutrients for microbes. If contamination is left untreated, it can damage the fuel permanently.

Source: <https://www.crownoil.co.uk/guides/fame-biodiesel-guide/>



Confirm the actual temperature limits for the fuel you are using from the fuel supplier.

Device operation

The oven starts to heat up when the device is started from the control panel. The light orange combustion light will light up in the control panel when the burner has been ignited. The combustion will stabilize in about 5 minutes. Oven will be fully operational about 10 minutes later.

The device will not necessarily start at first after the installation when the fuel hose is empty. The device cannot be restarted until "*stopping*" text has disappeared from the control panel display.

After starting, the temperature of the oven can be adjusted steplessly by using the control panel. The current temperature of the oven is shown in the control panel display. Oven thermostat will adjust burner to set temperature. You should avoid unnecessary, quick adjusting back and forth, as it gathers soot in the burner.

Oven can be shut down from the control panel. Oven cannot be restarted until cooling procedure is finalized. This will take several minutes.

Please note the following when using the oven

We recommend you to let the oven warm up before putting the dish to cook in the oven. While heating the oven the baking sheet should be taken out; the oven will then heat up more quickly.

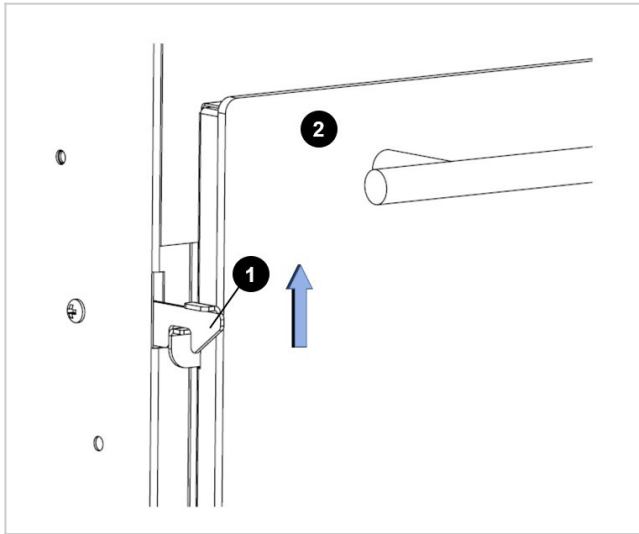
When using baking paper in the oven, the unnecessary edges of the paper should be cut out, because those disturb the air circulation in the oven. It is recommended to push the baking sheet and the baking tray to the back wall of the oven.

Cleaning and care of the oven

The oven as well as the baking sheet and tray should be cleaned after use with a moist cloth and dried thereafter. If necessary, use liquid detergents and remember to wipe and dry the oven after cleaning.

Do not use scratching cleaning sponges or scrubbing agents. The technical parts of the oven shall be serviced according to general servicing recommendations of Wallas equipment.

Locking the oven door



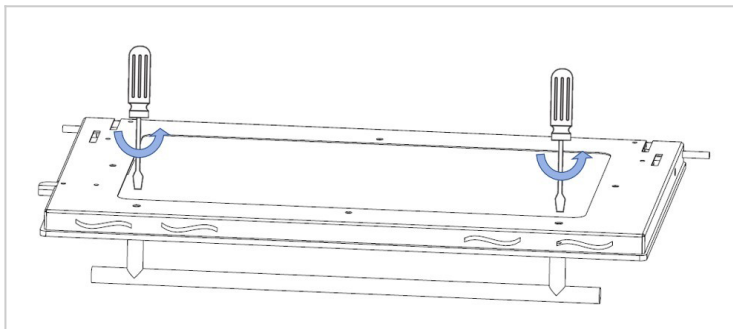
The oven is equipped with an automatic lock that prevents the hatch from opening while the vehicle or boat is in motion.

1. Locking hook
2. Oven door

The oven hatch is opened by lifting the locking hook upwards.

The lock is also safety feature (child lock).

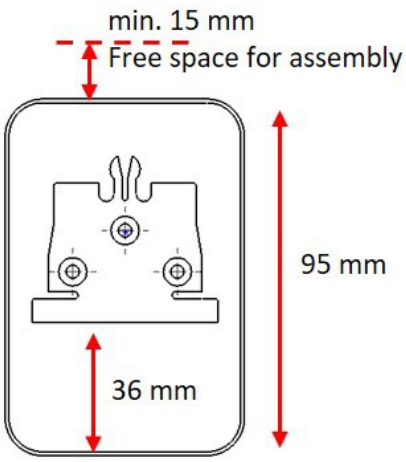
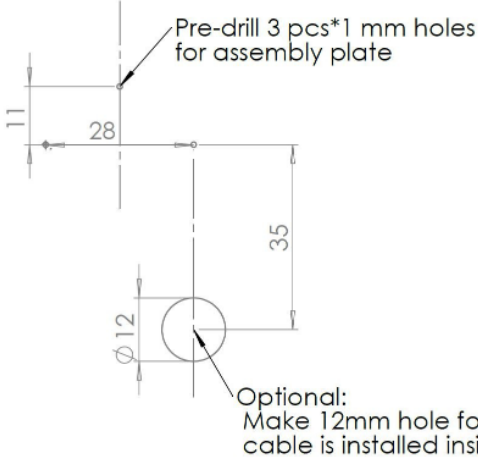
Removing the oven glass


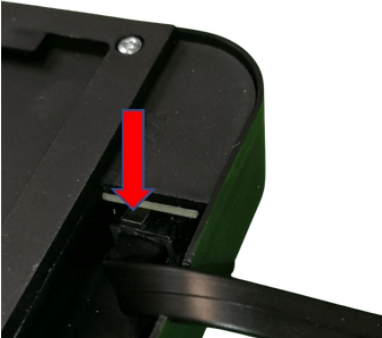


1. Remove two screws of the handle.
2. Remove the handle.
3. Lift the glass out of its place.
4. Clean the glass.

Control Panel Installation

3008 and 3009 Control Panel cable can be assembled as a surface mount or behind wall.

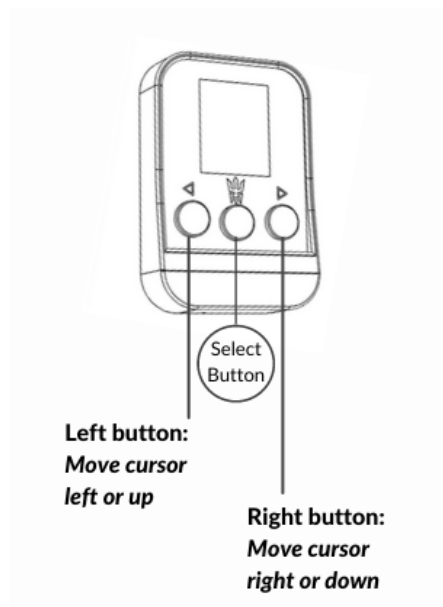
Surface mount, cable visible	Cable hidden behind the wall
	<p>Install assembly plate to flat surface.</p>  <p>Pre-drill 3 pcs*1 mm holes for assembly plate</p> <p>Optional: Make 12mm hole for cable if cable is installed inside wall .</p>
<ol style="list-style-type: none"> 1) Install the mounting plate and mark places for the screws. Pre-drill 3*1 mm holes for screws. 2) Cut the cable opening in bottom of the panel. 3) Install the mounting plate. 4) Slide the panel in place from the top down. 5) Remove the display protection tape. 	<ol style="list-style-type: none"> 1) Install the mounting plate and mark places for the screws. Pre-drill 3*1 mm holes for screws. 2) Drill 12 mm hole for the cable. Draw and check hole location before drilling, it should not be visible when panel is mounted. 3) Install the mounting plate. 4) Slide the panel in place top-down. 5) Remove the display protection tape.

	<p>Cable connection</p> <p>Please note that cable connector release pin is positioned as in the picture, when connecting cable into panel. (Soft "click" sound can be heard when cable is connected.)</p>
	<p>Cable release</p> <p>Press connector release clip (shown in the picture) before pulling the cable out.</p>


Control Panel basic features for ovens

Advanced Control Panel

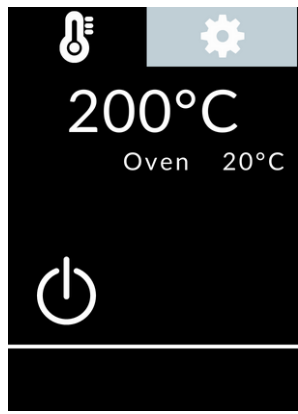
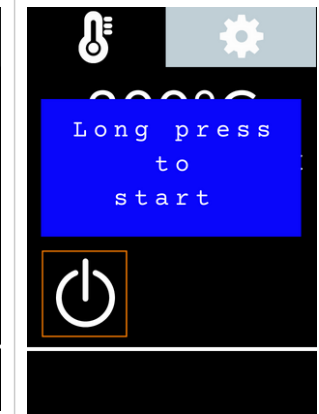
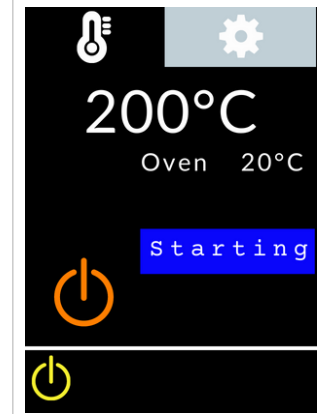
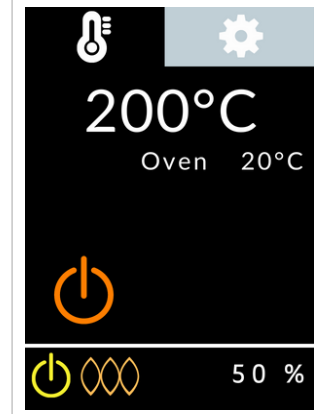
Before using the Advanced Control Panel ensure it is assembled correctly with the assembly plate (see assembly instructions from sales package) and connected to the Wallas unit.



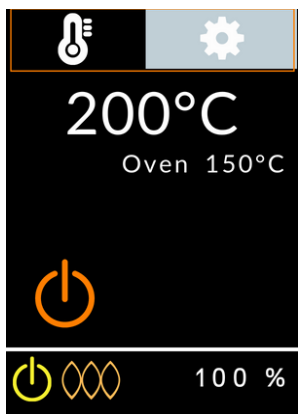
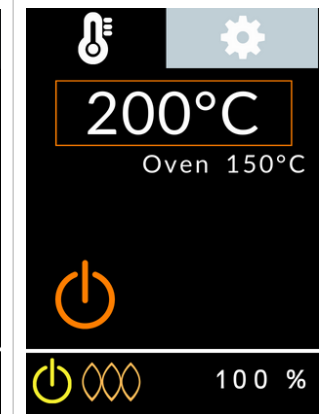
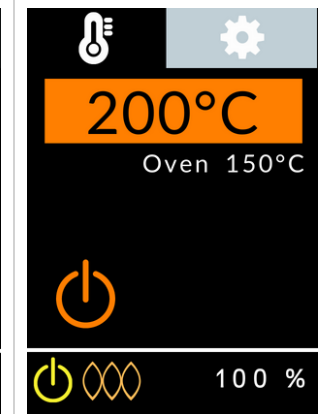
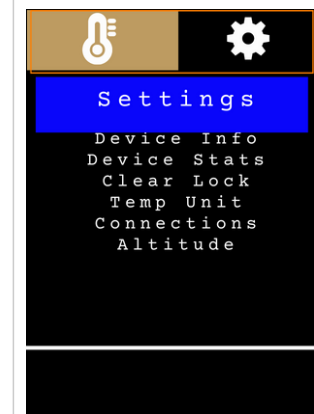
Note: Wallas unit's starting procedure will take approximately (5-8 minutes).

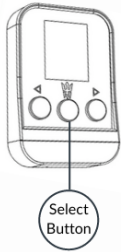
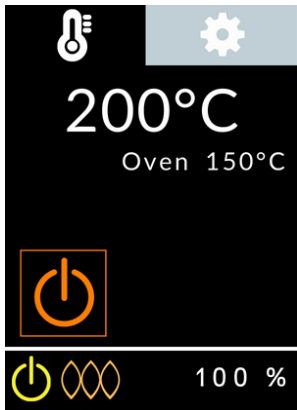

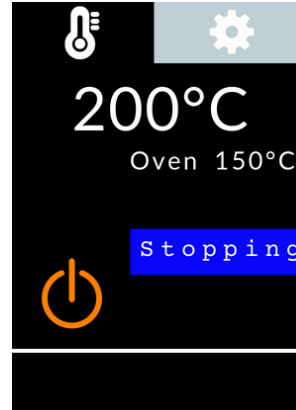
Digital panel legend	
	<ul style="list-style-type: none"> 1 Main Menu Bar 2 Oven target temperature 3 Oven temperature 4 Oven status 5 Start/Stop Icon (white Icon Off, orange Icon On) 6 Info bar: Power On/Off, Combustion, Info, Lock, Stove power %

Starting the device in Thermo control mode

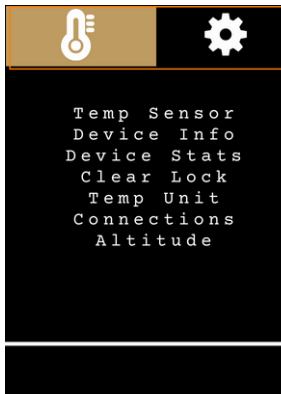
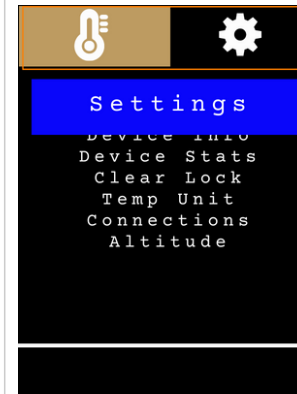
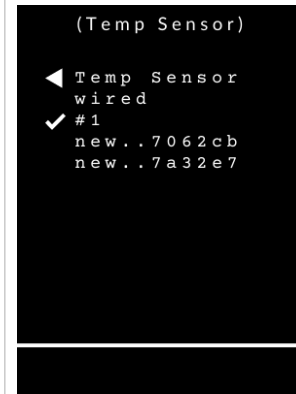
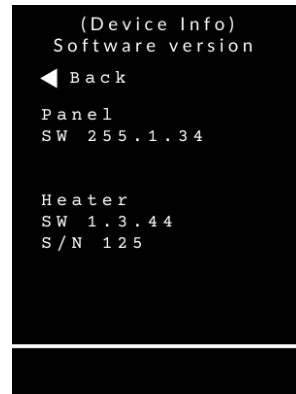
			
<p>Home screen</p>	<p>To start, use the Arrow Buttons (left or right) to move the orange selection square to the white Start/Stop Icon and press the Select Button. Confirm the selection by holding the Select Button down for 3 seconds (safety feature). White Icon turns orange.</p>	<p><i>Starting</i> will appear on the screen. The light orange combustion light will light up when the burner flame has been ignited and the combustion has stabilized (in about 5 min). Oven will be fully operational about 10 min later.</p>	<p>Move the selection square to the Target temperature and press the Select Button. Use Arrow Buttons to set the desired target temperature.</p>

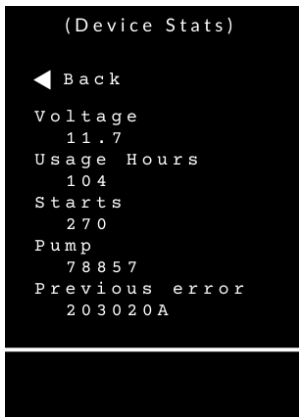
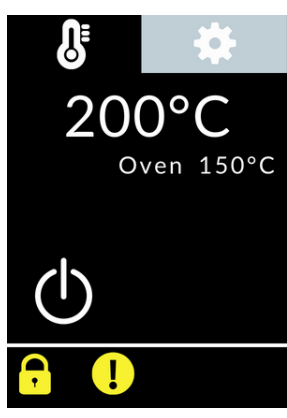

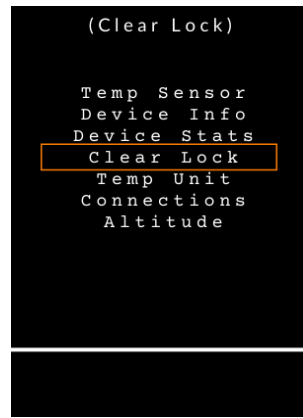
Target temperature setting

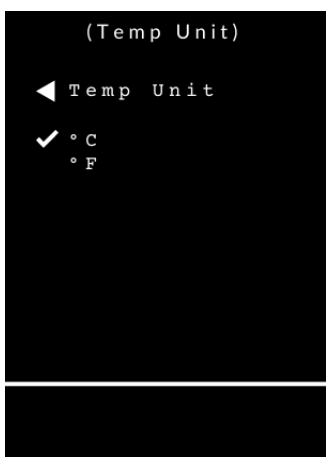
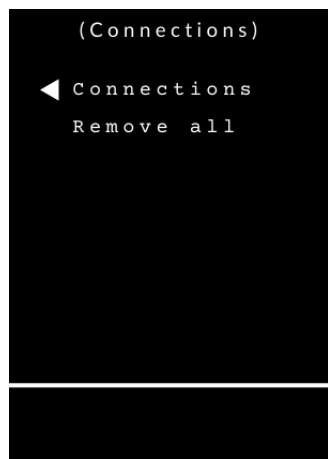
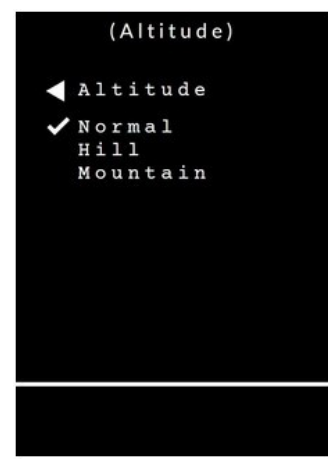
			
<p>Use the Arrow Buttons (left or right) to move the orange selection square to the Main Menu Bar. Press Select Button to activate the the Main Menu Bar. Use Arrow Buttons to choose the Thermo Mode and press the Select Button to select.</p>	<p>Use the Arrow Buttons (left or right) to move the orange selection square to the Target temperature and press the Select Button.</p>	<p>Press Arrow Buttons (left or right) to set the desired target temperature.</p>	<p>Settings - get familiar with the control panel's functionality - read more under Settings</p>

Shut down			
			
<p>Option 1 Quick shut down: Press and hold the Select Button down for more than 4 seconds. <i>Stopping</i> will appear and the Power Icon light will change to white indicating the unit is off.</p>	<p>Option 2 Alternatively use the Arrow Buttons to move the selection square to the Start/Stop Icon and press the Select Button.</p>	<p>Press and hold the Select Button down for more than 2 seconds.</p>	<p><i>Stopping</i> will appear and the Power Icon light will change to white indicating the unit is off.</p>

Note! Cooling procedure takes several minutes, before oven can be started again (long press is for safety).

Settings			
			
<p>Move the selection square to the Main Menu Bar and press the Select Button. Use the Arrow Buttons to choose Settings. Press the Select Button.</p>	<p>Use the Arrow Buttons to move the selection square down and press the Select Button to choose.</p>	<p>Temp Sensor Note! Temp sensor selection is not valid for ovens. Selection must be wired.</p>	<p>Device Info - Control panel and oven software versions (needed for customer service/tech help) - Heater unit serial number (needed for customer service/tech help)</p>

Settings			
 <p>(Device Stats)</p> <p>◀ Back</p> <p>Voltage 11.7</p> <p>Usage Hours 104</p> <p>Starts 270</p> <p>Pump 78857</p> <p>Previous error 203020A</p>	 <p>200°C</p> <p>Oven 150°C</p> <p>Lock Icon</p> <p>Exclamation Point Icon</p>	 <p>ERROR</p> <p>Device locked</p> <ul style="list-style-type: none"> - check fuel leaks - clear lock - restart - contact service <p>www.wallas.fi/ troubleshooting/ 7020C</p>	 <p>(Clear Lock)</p> <p>Temp Sensor</p> <p>Device Info</p> <p>Device Stats</p> <p>Clear Lock</p> <p>Temp Unit</p> <p>Connections</p> <p>Altitude</p>
<p>Device Stats</p> <ul style="list-style-type: none"> - Check there is enough voltage to start the unit (must have at least 11 V) - Check usage hours (units must be serviced every 2000 hours/3 years) - System starts - Pump cycles since new - Previous error code 	<p>If a Lock Icon is displayed, the oven has locked itself for safety. The unit will also lock after 3 unsuccessful starts. Move the selection square to the Exclamation Point Icon and press the Select Button. An error Page will appear.</p>	<p>If the oven has locked itself, there may have been a failure that should be investigated and resolved prior to further use. The error page will display a check list and a website for further information. If you need help, reach out to a professional.</p>	<p>To remove the lock, move the selection square to the Main Menu Bar and press the Select Button, choose Settings, and press the Select Button. Choose Clear Lock from the Settings Menu and press the Select Button.</p>

Settings			
 <p>(Temp Unit)</p> <p>◀ Temp Unit</p> <p>✓ °C</p> <p>°F</p>	 <p>(Connections)</p> <p>◀ Connections</p> <p>Remove all</p>	 <p>(Altitude)</p> <p>◀ Altitude</p> <p>✓ Normal</p> <p>Hill</p> <p>Mountain</p>	
<p>Temp Unit</p> <ul style="list-style-type: none"> - select temperature unit Celsius / Fahrenheit. - Not used in ovens. 	<p>Connections</p> <p>Using oven with mobile application is not allowed for safety reasons.</p> <ul style="list-style-type: none"> - clear all paired mobile phone devices. 	<p>Adjust combustion in high altitudes. Oven operation can be optimized to different altitudes.</p>	

Software update

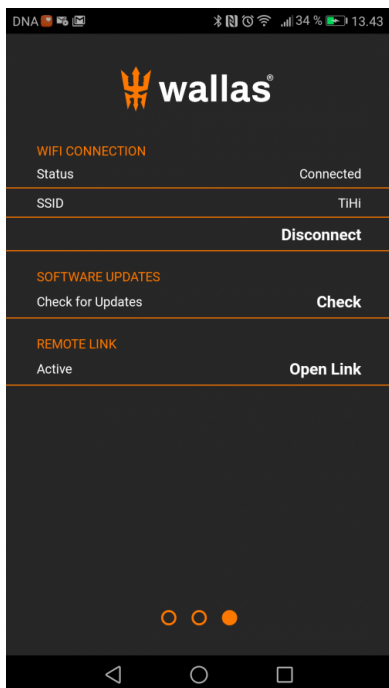
It is recommended to check software updates and perform software updating regularly to ensure optimal performance of the device.

Preparations for software update

1. check that the device and the cell phone have sufficient level of power in battery
2. check that the WiFi signal is strong and the internet connection is reliable
3. be prepared to disconnect control panel cable, or power of the device to make master reset to the system if necessary



Software update is a complex process, and errors may happen if there is a power or network failure during the update, including complete system failure. Therefore it is forbidden to start software update for control panel if the Wallas heater is the only heat source and being unable to start heater would create a danger.



For software update make sure that

- WiFi signal is strong and the internet connection is reliable
- WiFi HotSpot name (SSID) is visible in application page and the status is "Connected"
- the heater is "OFF" before starting the update

Updating may take up to 6 minutes, depending on network and connection.

If new software version is available *Update link* will appear on the screen. Select update.

Do not close application or power from the heater/stove while update is ongoing.

Control panel display will close and start a few times during the update. After the update is done, control panel will start and application will reconnect to panel.

Note: In some phone models you may have to do the pairing again after software update.

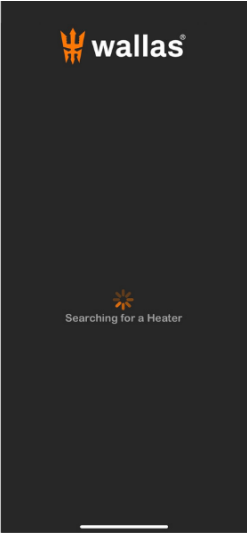
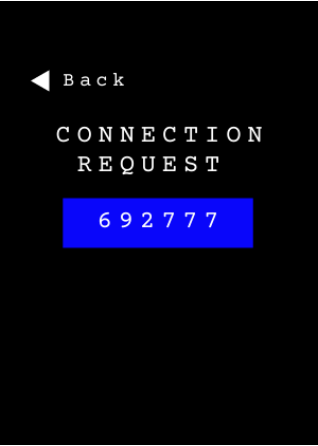
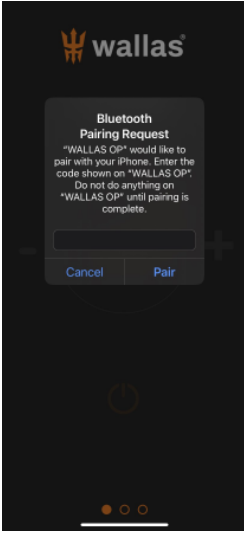
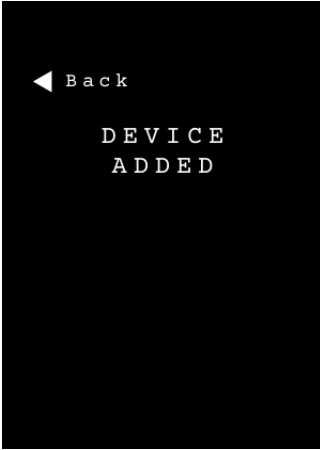
Possible problem/error	Solution
<i>File error</i> message appears	Start update again after few minutes
Software update stops during download	<ol style="list-style-type: none"> 1. Close the application 2. Restart the short-range wireless connection from your mobile device 3. Start update again <p>Tip! Find different location, where WiFi signal is better or WiFi hotspot has a better connection</p>
Control panel is jammed	Disconnect panel cable and try again after few minutes

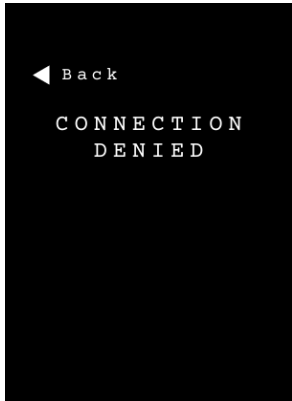
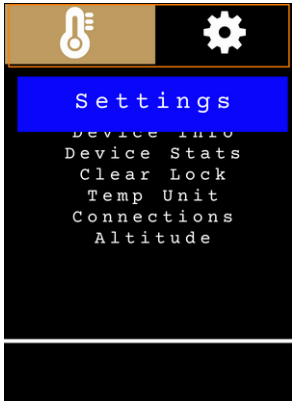
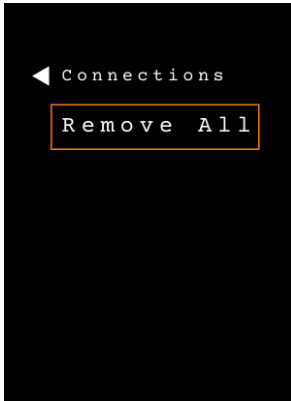

Connecting with the Remote application (oven)

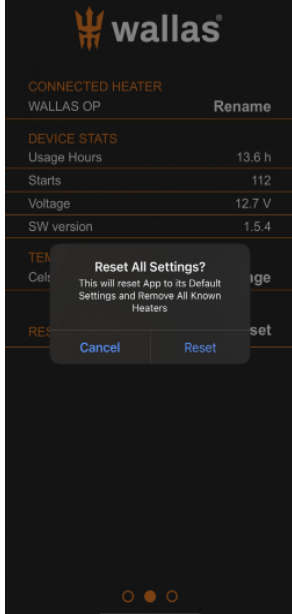
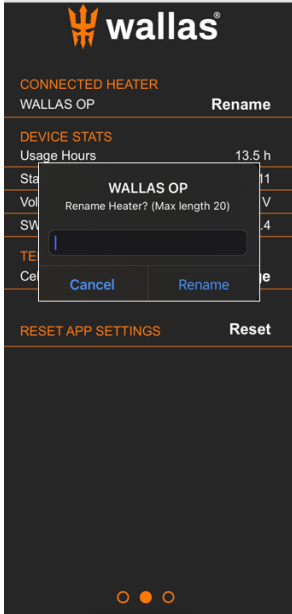
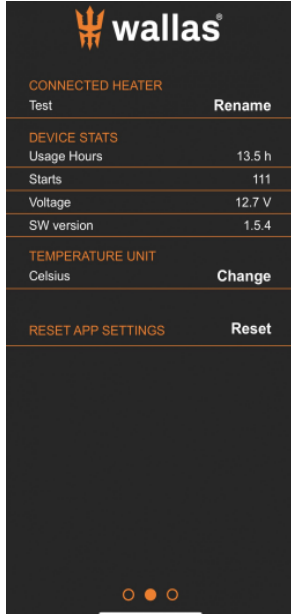
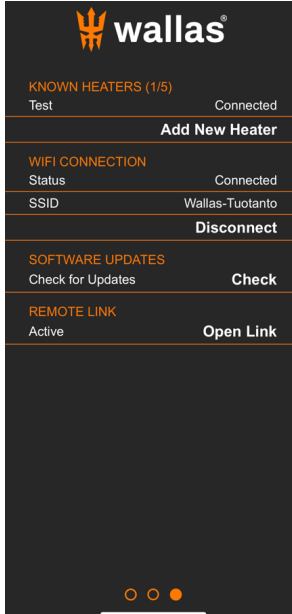
Local Connection

Advanced Control Panel can be connected into the mobile application with local connection. First, download the "Wallas Remote" application to your mobile device from your application store. Note! For safety reasons the oven can not be started or used remotely by the mobile application. Wallas remote application can be used only for software update purposes.

Pairing the application with the oven/control panel

Mobile Device	Advanced Control Panel	Mobile Device	Advanced Control Panel
			
<p>Turn the short range wireless connection on from your mobile device for pairing. When you open the app for the first time, it will search for a Wallas unit nearby.</p>	<p>When a unit is found , a pin code will appear on the screen of the Advanced Control Panel.</p>	<p>Type the pin code in the app and press Pair to continue. Note! In some phone models Pairing request will open in background info window.</p>	<p>Once the pairing has been successful, it is confirmed on the Control Panel with <i>Device Added</i>.</p>

Advanced Control Panel	Advanced Control Panel	Advanced Control Panel	Advanced Control Panel
			
<p>If the connection was not successful, <i>Connection Denied</i> will appear on the Control Panel.</p>	<p>Use Arrow Buttons to go to the Main Menu Bar and press the Select Button. Go to the Settings and press the Select Button.</p>	<p>Choose Connections and press the Select Button. Select Remove All and press the Select Button.</p>	<p>Turn the app off, open it again and repeat the pairing process.</p>

Mobile Device	Mobile Device	Mobile Device	Mobile Device
			
<p>Swipe the screen to the 2nd page.</p> <p>Default settings can be returned by pressing Reset and answering Reset to the appearing follow-up question.</p>	<p>When the heater is connected for the first time it will be named by Wallas OP. Each unit/connection can be renamed (max 20 characters).</p>	<p>User can add new unit and repeat the pairing process with the new heater.</p>	<p>Swipe the screen to the 3rd page.</p> <p>Application supports up to 5 different device connections. It is also possible to pair same unit with another mobile device but only one active user (active connection) is possible at a time.</p>

WiFi Connection

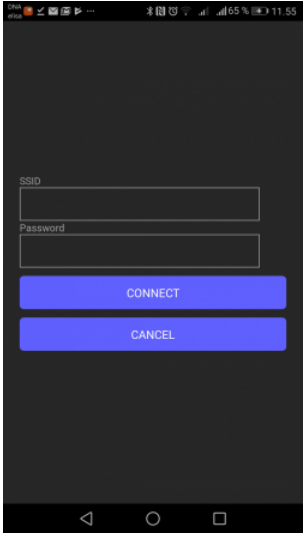
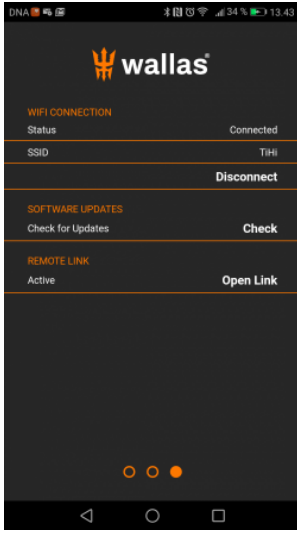
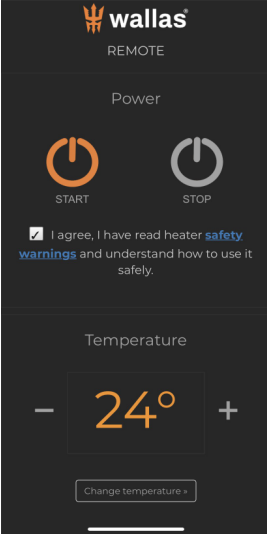
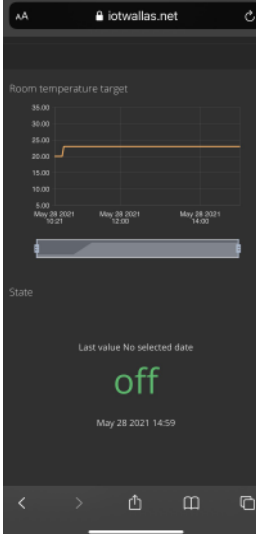
The 3009 Control panel can be connected to the internet with a WiFi connection.

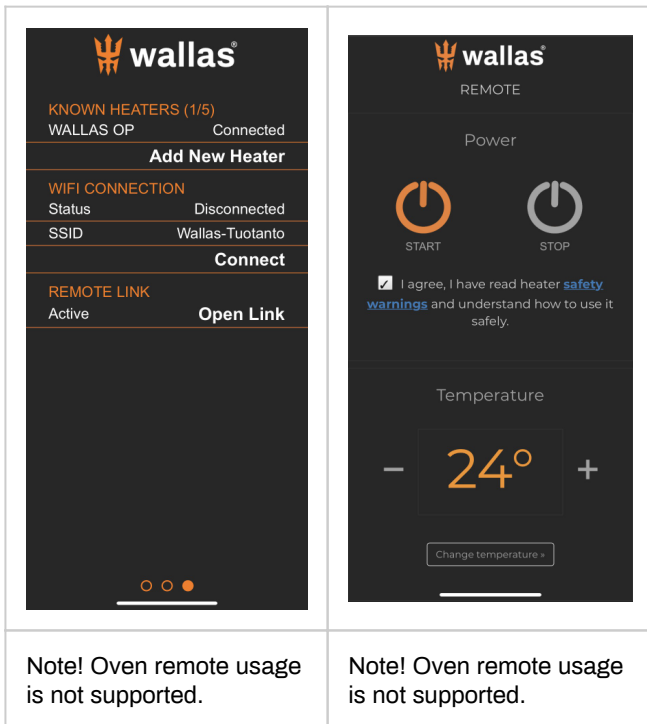
Wifi connection is created through the Wallas Remote application. (Local connection between application and Control Panel must be available before setup)

The first time selecting Connect, the application will ask for SSID and Password. Application will share this information with Control Panel.

NOTE! "Open" WiFi or "no-password" networks will not work with the Wallas system.

NOTE! If you sell your heater or give it away, you need to clear WiFi settings. (SSID="empty", password="empty") and you should remove the Wallas application from your device.

			
<p>Feed your internet connection details.</p>	<p>When internet connection is finalized status will be "connected". After few minutes "REMOTE LINK" will appear.</p>	<p>"REMOTE LINK " display will connect to internet panel. Note! Oven remote usage is not supported.</p>	<p>You can see when the unit was last connected into internet, and what the unit state is. You can see some statistics of your device. Available graphs will vary depending of your heater model.</p>



Wallas-Marin reserves the right to develop usability and features of the application.

Connections tips:

1. Read from your mobile device user guide how connections and WiFi connections are managed in your device.
2. Make sure that local connections and WiFi are allowed in you mobile device (airplane mode is OFF).
3. Your mobile device is not in power save mode and location permission is given to Wallas application.
4. Check that the device is connected to power and Control panel is connected via cable to the heater.
5. Distance between Mobile device and Control Panel is not too long.
6. Control Panel is not in use by another person. Only one local connection is possible at a time.
7. If your mobile device already has connection to the heater it can not create new connection before the old connection is removed from your device. In some phone models this has to be made manually. Remove "WALLAS OP" from your phones paired short range wireless connection devices list (note there might be several OP pairings in mobile device list, remove all) and restart short range wireless connection before new pairing is possible. This may be the case if control panel pairing code only blinks fast and your mobile device is repeating the connection requests.
8. Change connection to other Wallas heater.
 - Close Wallas remote application.
 - Remove old connections from your mobile device short range wireless connection paired devices list. Restart your devices short range wireless connection.
 - If there is no other users for new Wallas heater you can select Control panel menu Settings/Connections/Remove all.
 - Restart application.
 - When/if "Change Device " link appears (30-60 sec) press the link.
 - Wait connection procedure to finalize.
9. In some phone models Pairing request will open in background info window. (See your mobile devices user guide.)

Error Codes

Possible error codes are listed on the table below.

Combined Code	Error message	Problem	Troubleshooting
10A06	Ignition failed	Ignition failed, maximum allowed number of pump pulses	Check the fuel, check the fuel filter, tighten all joints.
1020B	Low voltage	Supply voltage is below minimum	Renew/charge the battery.
10001	System error		Contact service
10003	System error		Contact service
10201	System error	Unexpected flame-out	Check the fuel level, check the fuel filter.
10206	Ignition failed	Preheating failed, residual fuel burning for too long	Try to start again, if same fault, contact service.
20005	System error		Contact service
20A0207	System error	Water thermostat is missing water temperature data	Contact service
20B0205	System error	Analog control (potentiometer) is missing	Connect the controller, check control panel wiring.
203020A	Ignition failed	No fuel was detected, maximum allowed number of pump pulses	Check the fuel, check the fuel filter, tighten all joints.
2010204	Combustion fan	Burner fan is not working (no tachometer signal)	Contact service
2020204	System error	Ventilation fan is not working (no tachometer signal)	Contact service
2030204	System error	Fuel pump output short-circuit	Fuel pump wires are in shortcut, check the wiring.
2030205	System error	Fuel pump not connected (no current detected on output)	Fuel pump is missing, connect fuel pump connector.
2040205	Water pump	Water pump is missing (no load on output)	Connect the water pump connector.
2050204	System error	Burner or ventilation fan power short-circuit	Contact service
2060204	Glow plug	Glow plug short-circuit	Renew the glow plug.
2060205	Glow plug	Glow plug missing (no current detected on output)	Renew the glow plug, check that the glow plug connector is connected to the ECU.

2070005	System error		Contact service
2080001	System error		Contact service
2080006	System error		Contact service
2080008	System error		Contact service
2080208	System error		Contact service
3000007	Burner temp sensor	Burner temperature is missing/invalid	Contact service
3010007	Air temp sensor	Air temperature is missing/invalid	Connect air temperature sensor.
3010202	Air overheat	Air temperature is too high	Check air vent's and warm air hoses for blockages.
3020004	Warning	Hot water target should not be set higher than coolant target	Adjust the hot water target from settings
3020007	Water temp sensor	Water temperature is missing/invalid	Contact service
3020202	Coolant overheat	Coolant temperature is too high	Coolant is not circulating, bleed the air out of the system, check the coolant pump.
50001	System error	CAN bus other errors	Contact service
50006	System error	CAN bus timeout error	Contact service
50008	System error	CAN bus busy error	Contact service
7020B	Low voltage	Cannot start, low voltage	Renew/charge the battery
7020C	System error	Cannot start, device locked	Open locking mode from the control panel, check control panel user manual.
7020D	System error	Cannot start, enable input not asserted	Enable wire is missing, connect the enable wire or set the main power ON
7020E	System error	Cannot start, burner temperature missing or too high	Powercut during the operation, Wait that unit cools down and try to start again.

Installation check list

Installation check list before test-run

Installation
<ul style="list-style-type: none">• Read manual and use only official Wallas parts.• Ensure sufficient air ventilation for the device, minimum aperture of 150 cm² (24 sq. in.) into installation area or use ventilation kit.• Ensure that the boat/cottage/location is sufficiently ventilated.• The exhaust pipe outlet must be at least 400mm (16") away from the opening for filling fuel or tank breather.• We recommend installing the control panel on a vertical surface where liquids are not able to leak into the switch and it is out of reach of children.• In metal-hulled boats stray current galvanic corrosion and electrochemical corrosion has been prevented by using floating installation method.
Fuel system
<ul style="list-style-type: none">• Fuel for the device comes through a separate tank fitting, not via a manifold or connection shared by the engine or other device.• Install the filter to the fuel hose before you install the device, in an accessible location for filter changes.• Fasten the fuel hose couplings tightly. Always use a sleeve joint on the hose (olive ring).• Make sure that the surfaces of the couplings are clean before fastening them.• The hoses must be kept clean during installation.• If the surface of the fuel tank is above the device, a magnetic valve must be installed into the fuel hose close to the tank.• Cut the fuel hoses to the appropriate length when installing them.
Electrical installation
<ul style="list-style-type: none">• The nominal voltage of the device is 12 VDC.• Current for the device is taken directly from the battery terminals using cables that are as short as possible.• Put the main fuse of c. 15 A on the + cable close to the battery.
Exhaust fumes
<ul style="list-style-type: none">• When choosing the outlet location, note that exhaust fumes are hot.• When installing to boat use a goose-neck in exhaust pipe to prevent splash water entering.• If your installation location is a boat with metal hull, the device and outlet must be insulated from the hull to prevent electrochemical corrosion.• The exhaust pipe must not come into contact with combustible materials. Insulate the exhaust hose, if necessary.
Initial start-up
<ul style="list-style-type: none">• The device usually does not start the first time after it has been installed. It may take several starts (c. 4-6) for the fuel hoses to fill up enough for the fuel to reach the burner.• Watch the hoses as they fill up as you start the device.• After two unsuccessful start-ups, the device will lock.• Follow the instruction for unlocking the device and try again.• When the device starts, look for possible leaks in the exhaust and fuel connections.• Run the device for c. ½ hour to allow possible installation and manufacturing greases to burn off. Make sure there is enough ventilation.• NOTE! Remember to carefully read the instructions for installing, operating and servicing each device before installation.





In metal-hulled boat, you must ensure that the device, the flue gas lead-through, the fuel connection, the control panel and all other parts are insulated from the boat's hull. This must be done to prevent electrochemical corrosion and to prevent voltage from being transmitted from the hull to the device or vice versa during electrical faults.

To be filled in by the installer

Test-run performed	
Serial number	
Company	
Installer	
Installation date	
Signed	

Maintenance recommendations for ovens

	Service recommendation for the oven is 2000 operating hours or every 3 years, whichever comes first.
	Maintenance should be carried out by authorized Wallas service shop.

Special recommendations
Occasional (monthly) use of the device will increase reliability by purging old fuel. Observe fuel provider recommendation with regard to the fuel type, fuel life length, additives and moisture removal. If the device has a separate tank: When selecting the fuel type, take note of the temperature limits of each particular fuel.
Removal of the water from the tank
Isopropanol based anti ice detergent meant for gasoline cars (no ethylene or methyl based) will be added to the fuel during the season. It is useful to make the addition after each couple of tanks and in the beginning and end of the heating season. The anti ice detergent binds the condensed water and prevents the sediment and contamination during the summer. For the dosage, observe the recommendations given by the manufacturer of the agent.
Winter storage
If the device uses the same tank as the engine: <ul style="list-style-type: none">• Change the fuel filter.• Perform measures recommended by the boat/engine manufacturer to be performed before winter storage. If the device has a separate tank: <ul style="list-style-type: none">• Drain the fuel tank in the autumn.• Clean the tank and change the fuel filter.• Fill the fuel tank with fresh and clean fuel in the spring. For the device itself, you do not need to do anything.
Spare parts
Spare parts list, www.wallas.com

	An anti-freezing agent for diesel vehicles may increase the forming of scale at the bottom of the burner and therefore shorten the maintenance interval.
---	---


Warranty terms

Wallas-Marin Oy (the “Manufacturer”) warrants their heaters, stoves, and ovens (hereinafter referred to as the “Product”), against defects in material and workmanship for two (2) years or 2,000 operating hours in normal use (whichever comes first) effective at the time of sale to the Original End-User under the conditions provided herein.

Wallas-Marin heating systems are designed and intended for recreational use. Use for commercial, live-aboard or unattended use will result in elevated operating hours requiring maintenance and repair not covered by product warranty.

1)	This warranty is made only to the first purchaser/customer (“Original End-User”), who acquires the Wallas-Marin Product for their own use.
2)	This warranty will be in effect for two (2) years or 2,000 operating hours (whichever comes first) from the date of purchase by the Original End-User. A copy of the dated receipt of the sale should be retained as evidence of the date of purchase. The warranty period may be extended by an additional 12 months by registering the Product within three (3) months of the Product being sold to the Original End-User. Registration must be done online at www.wallas.fi/takuu . Despite the extended warranty period, coverage is limited to 2,000 operating hours for all Products. Repairs carried out during the warranty period do not renew or alter the original warranty period.
3)	The intent of this warranty is to protect the Original End-User of the Product from defects and provide repair and replacement of defective parts. Warranty repair service must be administered by an authorized Wallas-Marin distributor or an authorized Wallas-Marin Service Center in accordance with the Wallas-Marin warranty policy.
4)	Notification of the defect must be given in writing immediately to the authorized Wallas-Marin distributor, that sold the product (the “Seller”) by the Original End-User, if possible, but no later than two (2) months after the defect occurred. If the warranty period has expired and no notice was given in writing while the warranty was still valid, the defect will not be covered.
	The notification must include: <ul style="list-style-type: none"> • Description about the issue • Description about the installation, when, where, and by whom it was done (photographs may be included) • Product name, serial number, place and date of purchase
5)	For repairs under warranty, the Original End-User must take or package and ship the product to an authorized Wallas-Marin Distributor or to an authorized Wallas-Marin Service Center. The best location for repairs is determined by the importer after the Original End-User has notified the Seller about the issue. Once the Wallas-Marin Distributor/Service Center has examined the returned Product and if it is found that it was defective in material and/or workmanship, the Distributor/Service Center shall repair the product. If the distributor/Service Center determines that repairs must be made, only authorized Wallas-Marin parts will be used.
6)	This is a Return to Base Warranty, which does not cover costs accumulated from the removal and re-installation of the Product, or transportation costs if the Product has been shipped for repairs, or any damage occurred in transit.
7)	This warranty does not cover consumable or wear parts, which include glow coil/plug, bottom mat or wick, fuel filter, seals.
8)	This warranty does not limit the rights specified in the consumer protection legislation.

9)	<p>This warranty does not cover indirect damages arising from a defective Product, property damage, loss of revenue, injury or loss of life as a result of system failure, or conditions unrelated to the material and workmanship of the Wallas-Marin Product.</p> <p>Such unrelated conditions include, but are not limited to:</p> <ul style="list-style-type: none"> a) The Product has not been installed according to the Wallas-Marin Product User Manual or the country-specific regulations have not been followed. b) Damage or failure caused by installation of accessories or components not manufactured or approved by Wallas-Marin and/or modification of the Product structure without the consent of the Manufacturer. c) Failure to follow the operation or maintenance instructions in the Product User Manual. d) Damage caused by inappropriate storage or transport. e) Fault resulted by an accident or damage of which Wallas-Marin had no control over (force majeure). f) Damage or failure caused by improper handling, use of unsuitable fuel, low voltage, excess voltage, dirt, water penetrating the Product, galvanic corrosion, electro chemical corrosion or damages due to stray current. g) The Product has been dismantled or opened without the explicit permission of the Manufacturer/Importer. h) Non-Wallas components or spare parts have been used in the repair of the Product. i) Repair was done by an unauthorised service provider. j) Installation error when possible leaking water or leaking coolant can enter the boat/vehicle/RV/building structures.
10)	<p>Wallas-Marin reserves the right to change the design of any Wallas-Marin Product without notice and with no obligation to make corresponding changes in Wallas-Marin products previously manufactured.</p>

	<p>When making a warranty claim, the Original End-User must provide proof that the maintenance and safety instructions have been thoroughly followed. This warranty does not apply to defects which have arisen due to carelessness in following installation, operation, and maintenance instructions.</p>
--	--

Disclaimers

<p>The manufacturer is not liable for damage caused by improper use or incorrect operation or installation. Failure to comply with the installation, operation and service instructions makes the guarantee null and void and this leads to the exclusion of any liability of Wallas-Marin Oy.</p>
--

