



wallas®



86D Diesel Oven

Rocker switch ignition
Thermostatic control
Quiet operation
2+1 year warranty
Clean, Compact, Sturdy
Burns diesel #2 or #1
Marine or RV applications

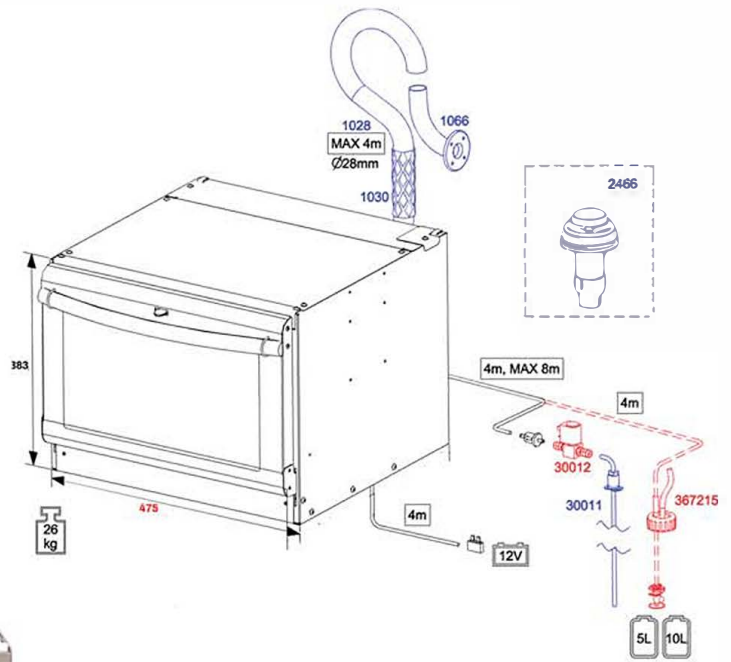
- Safe, no-open flame operation.
- All combustion exhaust gases and water vapor is vented outside, keeping cabin dry.
- Clean, soot-free, reliable design minimizes maintenance.
- Diesel fuel can be drawn directly from the main fuel tank or from a day tank.
- Super quiet, variable output eliminates off/on system cycling.
- Superb corrosion free stainless steel and aluminum construction.
- Convection oven for fast, accurate cooking times.
- Handy inside oven light.



imported and distributed by:



Factory Authorized Sales & Service Center
2144 Westlake Ave. N., Suite D
Seattle, WA 98109 USA
Ph: 206-285-3675 - Fax: 206-285-9532
info@scanmarineusa.com
www.scanmarineusa.com



wallas[®] 86D Convection Oven

SPECIFICATIONS:

Oven temperature: 210F to 485F
 Fuel consumption: 3.4 to 7.4 oz/hour
 Voltage: 12VDC
 Power consumption: 0.15A/hour
 Starting amperage: 9A for 7 min.

Weight: 54 lb. (24.5kg)

ACCESSORIES:

- 1066 Thru Hull
- 2460 Closeable Duplex Thru Deck
- 602307 Duplex adapter
- 1028 Exhaust Hose
- 1029 Exhaust Hose Insulation
- 1110 Potholder
- 30011 Fuel Suction Fitting for Main Tank
- 2027 10 liter Fuel Tank

